

PRP-250

Thermal Receipt Printer

With the stylish design and Low-Noise mechanism, PRP-250 can perform high-quality printing yet perfectly fit into the nice and decoration on your location, and that with harmonious integrality to our new Zenis POS System as well.

The Multi I/O interfaces provide PRP-250 with good connectivity to various system or POS solutions. Easy maintenance and fascinating high-speed performance, PRP-250 is the best choice of high-quality demand solutions.



Feature



250 mm/sec High-Speed Print Engine
(Paper Auto-Cutter support)



Glossy-patented Housing

250
mm/sec
Thermal

Auto
Cutter

Multi-Fonts
Support

ESC/POS
Compatible

Serial
Ethernet
USB

576
dots/line

- Compact Design with Color variation (Black/Red)
- Paper Auto-Cutter
- Multi I/O Interface (Serial +Ethernet +USB or Parallel +USB)
- Cash drawer connection port (RJ-11)
- Compatible with ESC/POS print commands set
- Various Drivers available
- User friendly, drop-and-print paper installation, simple paper jam elimination
- Multiple Language fonts selectable

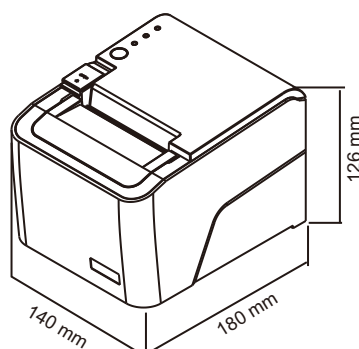
PRP-250

Thermal Receipt Printer

Specification

| | |
|------------------------------|--|
| Model | PRP-250 |
| General | |
| Print Method | Thermal line printing |
| Print Speed | 250mm/sec |
| Print Life | 100 Km |
| Print Resolution | 576 dots/line or 512 dots/line |
| Print Font Character Support | International Font, Big 5 Chinese, GB Chinese, Japanese, Korean selectable |
| Character Per Line | ANK Font Font A: 12 x 24 dots Font B: 9 x 17 dots Chinese character: 24 x 24 dots |
| Effective Print Width | 72mm |
| Paper Width | 79.5mm± 0.5mm |
| Paper Roll Diameter | 83mm |
| Paper Thickness | 0.06~0.08mm |
| Driver | Win 9X/Win ME/Win 2000/ Win 2003/Win NT/ Win XP/Win Vista/Win 7, compatible with EPSON and SAMSUNG |
| Print Command | ESC/POS print commands set |
| Auto Cutter | Full or Partial |
| Paper End Detection | Yes |
| Over-Heat Halt-on Protection | Yes |
| Interface | |
| Serial | Multi I/O Interface (Serial +Ethernet +USB or Parallel +USB) |
| Parallel | |
| USB | |
| Ethernet | |
| Cash Drawer | DC 24V/1A, 6-Wire RJ-11 Socket |
| Others | |
| Power Input | 24VDC/2.0A (with External Adapter 100~240VAC 50/60Hz) |
| Color | Red / White / Black |
| Compliance | FCC / CE / WEEE / RoHS |
| Weight | 1400g (without cable) |
| Dimension (L x W x H:mm) | 180 x 140 x 126 |
| Operating Temperature | 0°C~45°C |
| Operating Humidity | 10% ~ 80% RH non-condensing |
| Storage Temperature | -10°C~ 60°C |
| Storage Humidity | 10% ~ 90% RH non-condensing |

Dimension



ISO-9002 Certified



Beyond Mere POS

<http://www.fametech.com.tw>
TYSSO®