

# BCP-5500

## Handheld Barcode DATA Collector

The BCP-5500 is a compact and cost-effective data collector that allows its operator to collect data without distance limitation. It is the ideal device for inventory and stocktaking. By featuring the fast-responding CCD sensor and the powerful decoder, BCP-5500 is capable of performing data-collecting tasks that time is an important issue. And the stylish and easy-to-grip design is a merit for operators especially for long-time operation.

Equipped with the application software, and large internal memory, BCP-5500 offers the advantages of high-speed scanning, reliability and easy operation. In addition, it also gives the operators greater mobility for scanning those tough to reach barcodes. The embedded utility software provides users with easy data management of the scanned data that suits for variety of business needs: Inventory, Warehouse, Stock and Order Picking, and Shipping/Receiving Management.



Compact Design

Vivid LCD  
128 x 128

Easy Setup

RS-232  
USB

Recharge  
Transmit  
Cradle

Timestamp

45,000  
Records

1100mA  
Battery

### Feature



Recharge and Communication Cradle



Navigation Keys  
LCD Display with blue backlight

- Stylish & compact design
- Two Pre-defined data formats
- Vivid and Clear Display
- Long Time Operation (over 30 hr or approx. 45,000 records)
- Easy operation by navigation keys
- Interface: USB or RS-232 selectable
- 1100 mA Rechargeable battery
- Scans with timestamp
- Easy configuration utility

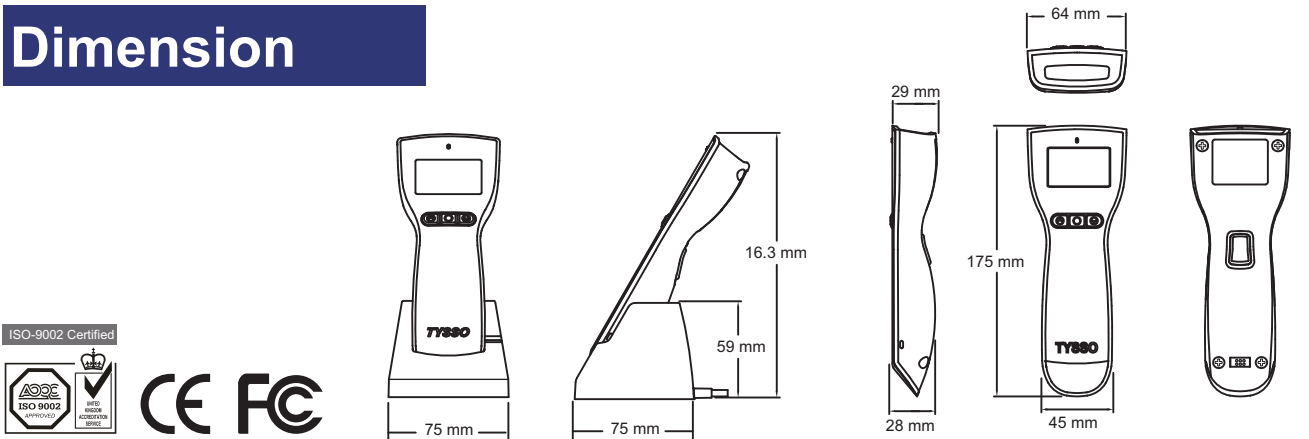
# BCP-5500

## Handheld Barcode Data Collector

### Specification

Model	BCP-5500	
<b>System</b>		
CPU	8-bit CPU	
Memory	224KB	
OS	Proprietary	
<b>Application Software</b>		
Operating System Support	Windows-base (98/Me/2000/XP/Vista/Win 7)	
Programming Language	Windows-base Application Software	
Data Management	Data Management Utility Software	
SDK Software	Upload communication SDK	
Readable Bar Code	UPC-A, EAN-8/JAN-8, UPC-E, ISBN/ISSN, RSS-14, CODE 11, CODE 93, MSI-Plessey, CODABAR/NW7, CODE4, EAN-13/JAN-13, CODE 39, CODE 32, Interleaved 2 of 5/IATA, Matrix 2 of 5, China Postage, CODE 128	
<b>Display</b>		
Display	128x64 dot-matrix graphic LCD with back-light 16 character x 4 line, 8x16 dot display pattern	
Keypad	3 keys (2 navigation keys, and enter key)	
Buzzer	Audio Buzzer	
LED	LED Indicator	
<b>Connectivity</b>		
Interface	Standard RS-232 & USB (virtual RS-232)	
Transmission Rate (RS-232)	19200 bps (only)	
<b>Scanner</b>		
Scanner Type	625nm ±10nm CCD Sensor	650nm ±10nm, Visible Laser diode
Scan Speed	100 scans/sec.	
Minimum print contrast	0.45	
Depth of Field	2~11cm, depends on barcode resolution	
Maximum Pitch	65+ °	
Minimum Skew	50+ °	
Minimum Bar Width	4 mil	
<b>Others</b>		
Operation Battery	Rechargeable Lithium Battery Pack (1100mAh / 3.7V) via Recharge/Transmission Cradle	
Operating Time	Over 30 hours (approx. 45,000 scans, battery fully charged)	
Material	ABS	
Color	Front: Black, Body: White	
Compliance	FCC class A	
Weight	scanner: 136.1 g / cradle: 170.2 g	
Dimension (mm)	175 x 45 x 28	
Operating Temperature	0°C~45°C	
Operating Humidity	10% ~ 85% RH non-condensing	
Storage Temperature	-20°C~ 65°C	
Storage Humidity	5% ~ 95% RH non-condensing	

### Dimension



Beyond Mere POS

<http://www.famotech.com.tw>

