

Specifications

Customer	
Attention	
Your Model No.	
TYSSO Model No.	FCCD-650 Series Fixed Mount Middle Range CCD Barcode Scanner
Date	September 21, 2010
Sample Serial No.	

RECEIPT STATUS

Date _____

Signature _____

Title _____

TYSSO®

FAMETECH INC.

2F, No 165, Sec.2, Ta-Tung Rd., Hsi Chih, Taipei County 221, Taiwan

Tel:886-2-86926300 Fax:886-2-86926301

Email: tyssso@ms6.hinet.net URL: www.famotech.com.tw

Beyond Mere POS

Content Page

1. General	1
2. Optical Characteristics	1
3. Performance	2
Scan Zone.....	2
4. Electrical Characteristics	3
5. Physical	3
Dimensions.....	4
Pin Assignment.....	4
6. Environmental	6
7. Decoding Programming	6

1. General

This fixed CCD barcode scanner is designed with high quality components and compact housing that is suitable for fixed mount applications. The improved sensor provides very accurate barcode scanning signals to decoders. With different scanning ranges, it is ideal for meeting most application requirements. Because of its compact and small dimensions, this FCCD scanner works well in saving space that can perfectly enhance the function of your POS systems. For those who are hoping to find a way to process efficient store operation, FCCD-650 can be the most ideal POS assistant that fulfills all your needs. It simplifies the sales data development process and also saves the developing time. The built-in decoder is an advanced and versatile decoding facility for bar coding systems. It works with a variety of barcode types and computer interfaces.

- **Compact Size**
- **Various interfaces available: RS-232, USB, Keyboard.**
- **Single 5 Volts Power Supply**
- **Simplified connection to one input power source**
- **Standard signaling for connecting to most decoders**
- **Easy to decode with most decoders**
- **High performance and easy to install & use decoded models**
- **Supreme compact CCD Photo-Module available for OEM/ODM**

2. Optical Characteristics

Light Source	590nm
Sensor	Linear CCD Sensor with 2500 pixels
Ambient Light	4500 Lux max.(Fluorescent lamp)

3. Performance

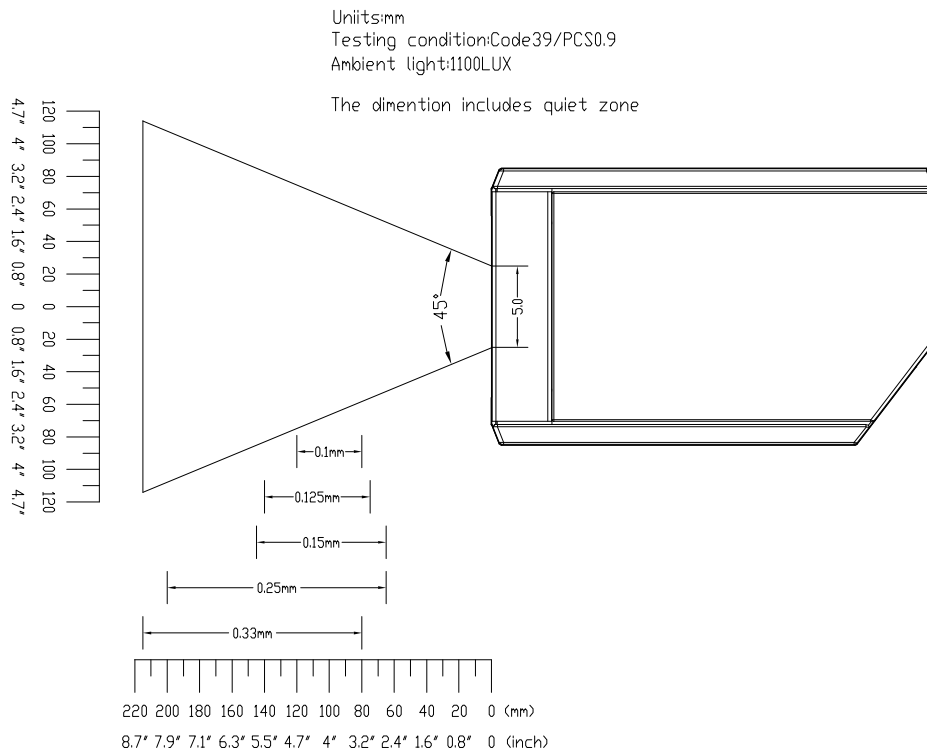
PCS	Up to 0.45
Scan Rate	100 scans / sec.
Depth of Field	10" (254mm) for 20 mil (0.50mm) barcode
Resolution	4 mil (0.1mm)
Readable barcodes	Code 39/32, Full ASCII Code 39, Code 128, Code 11, Interleaved 2/5, Industrial 2/5/IATA, Matrix 2/5, China Postage, Code93, MSI/PLESSEY, Codabar/NW7, Code 4, EAN-8/JAN-13, UPC-A, EAN-13/JAN-13, ISBN/ISSN, RSS-14

Scan Zone

4mil(0.1mm)	8~12CM
5mil(0.125mm)	7.5~14CM
6mil(0.15mm)	6.5~15.5CM
10mil(0.25mm)	6.5~20CM
13mil(0.33mm)	8~21.5CM

OPTICON Test chart:PCS 90%

CODE TYPE:CODE39



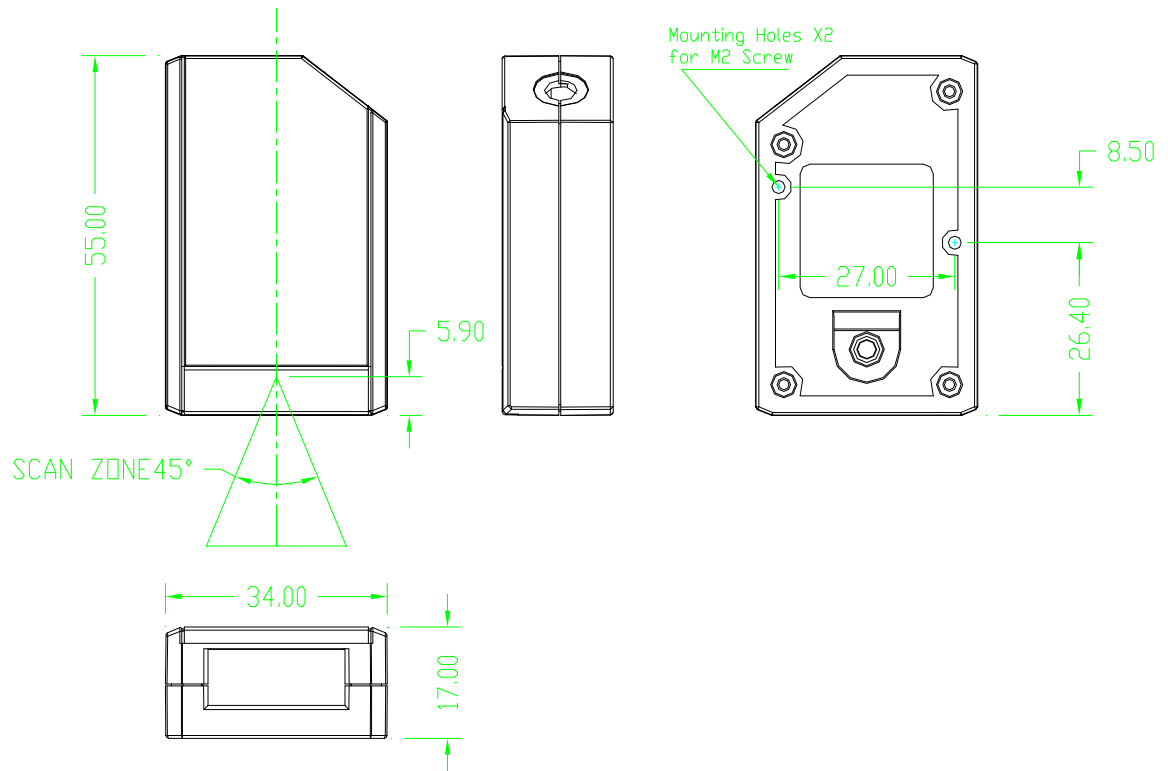
4. Electrical Characteristics

Supply Voltage	DC +5V +5%
Indicators (LED)	Red LED
Output Voltage (Typ.) Output Voltage (Min.)	+5V +4.5V
Power Consumption Stand by (Max.) Operation(stable) Operation (Max.)	10mA 170mA 220mA
System Interfaces	Keyboard, RS-232, HID USB
Processor MCU	High-speed CPU Core: Up to 25 MIPS

5. Physical

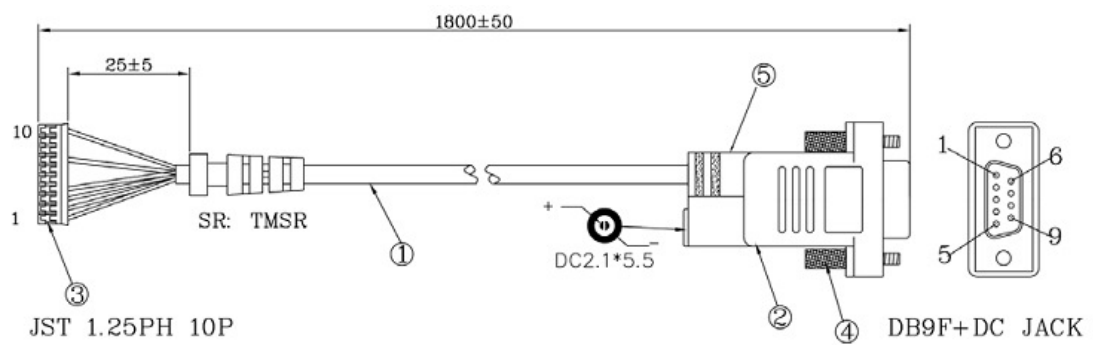
Dimensions	(L)55×(W)34×(H)17 mm
Weight W/O Cable USB Interface RS-232 Interface PS-2 Interface	26.6g 50.6g 63.7g 66 g
Cable	Interface replaceable, standard 1.8M

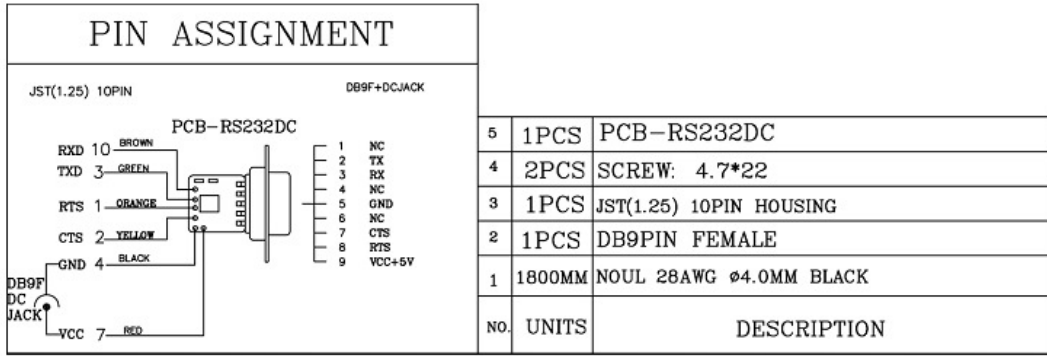
Dimensions:



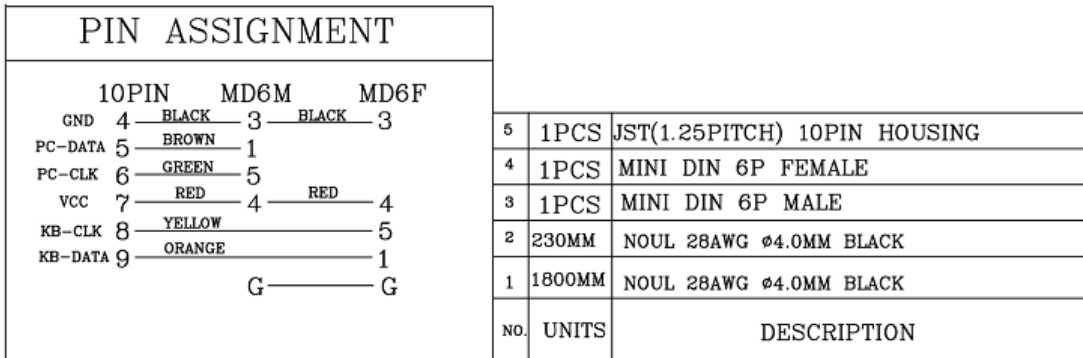
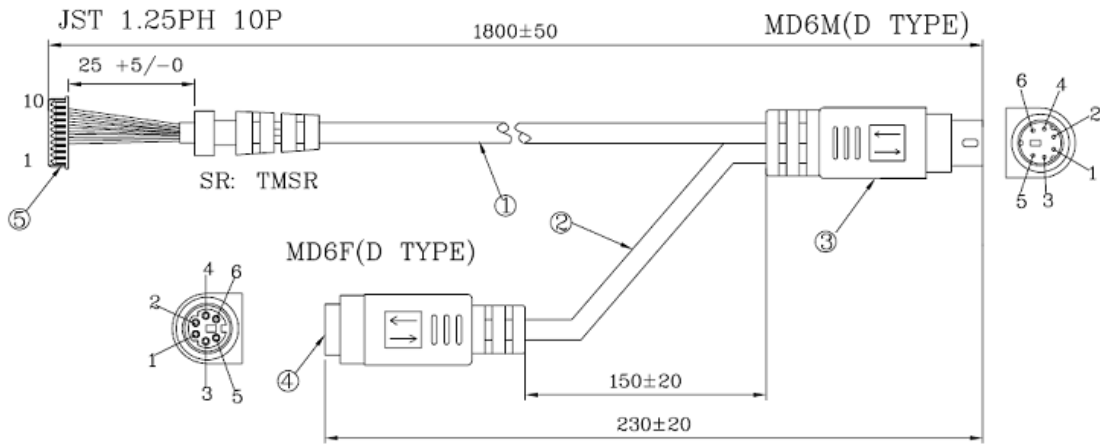
Pin Assignment:

RS-232 Interface Cable

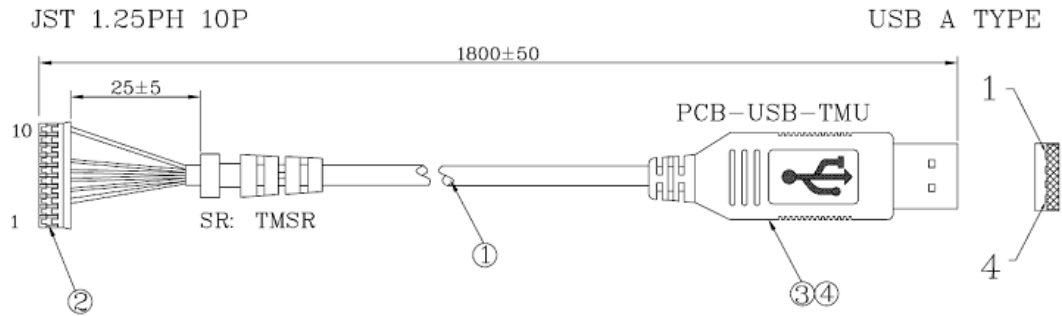




5.2.2. Keyboard Interface Cable



USB Interface Cable



PIN ASSIGNMENT			
JST 1.25(10PIN)	USB A	5	
RXD 10 YELLOW		4	1PCS USB A TYPE
TXD 3 GREEN		3	1PCS PCB-USB-TMU
GND 4 BLACK		2	1PCS JST(1.25) 10PIN HOUSING
DATA 5 BROWN	PCB-USB-TMU	1	1800MM NOUL 28AWG Ø4.0MM BLACK
CLOCK 6 ORANGE	1 VCC		
VCC 7 RED	2 D-		
	3 D+		
	4 GND		
		NO.	UNITS
			DESCRIPTION

6. Environmental

Operating Temperature	0°C – 50°C (32°F – 122°F)
Storage Temperature	-20°C – 60°C (-4°F – 140°F)
Humidity	5% – 95% RH (non-condensing)
Drop Durability	Designed to withstand 1.5M drops

7. Decoding Programming

Setting Mode	Programming Manual & Software
---------------------	-------------------------------